

# RF Combiner

## 16 Channel Combiner

### AS 163

#### Features:

- Aluminium Die Cast Housing
- Adjacent Channel Application
- Frequency 5 ~ 1000 MHz
- Insertion Loss: 16dB Typ.
- High Isolation : > 30dB
- Better Shielding – No External Pick-up
- High Isolation Avoids Channel Mixing Flat
- Frequency Response & linear upto 1000MHz



## 16 Channel Combiner

### AS 162



#### Features:

- Adjacent Channel Application
- Frequency 46 ~ 860 MHz
- 19" Rack Mounted
- Flat Frequency Response
- I/P & O/P Impedance: 75 Ohms
- Insertion Loss: 16dB Typ.
- Isolation : > 22dB

## 8 Ch Combiner

#### Features :

- Adjacent Channel Application
- Frequency 46 - 860 MHz
- Flat Frequency Response
- I/P & O/P Impedance: 75 Ohms
- Insertion Loss : 16dB Typ.
- Isolation : >22dB

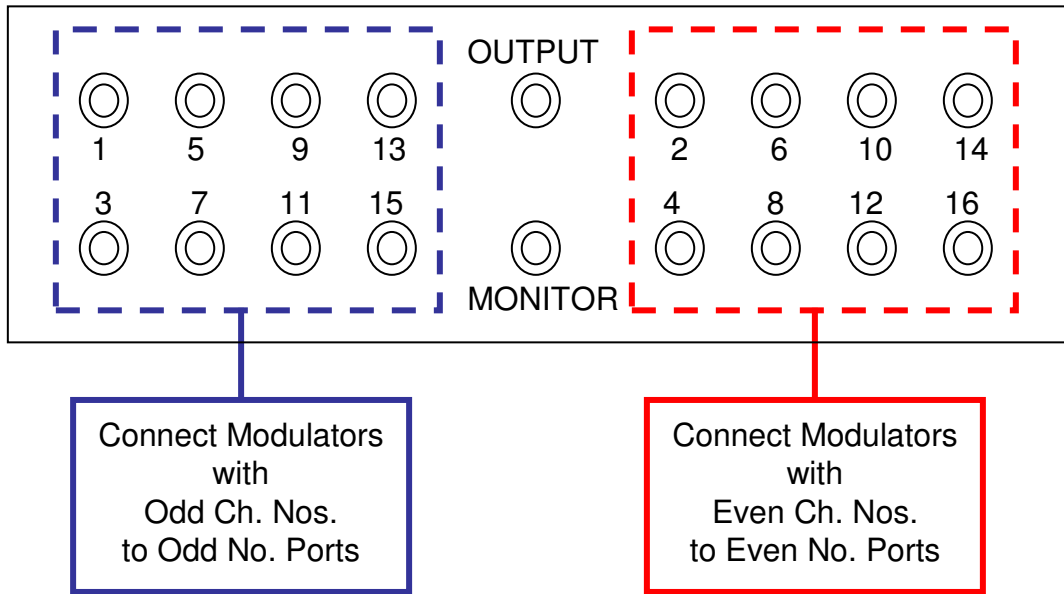
## SVM Combiner

#### Features :

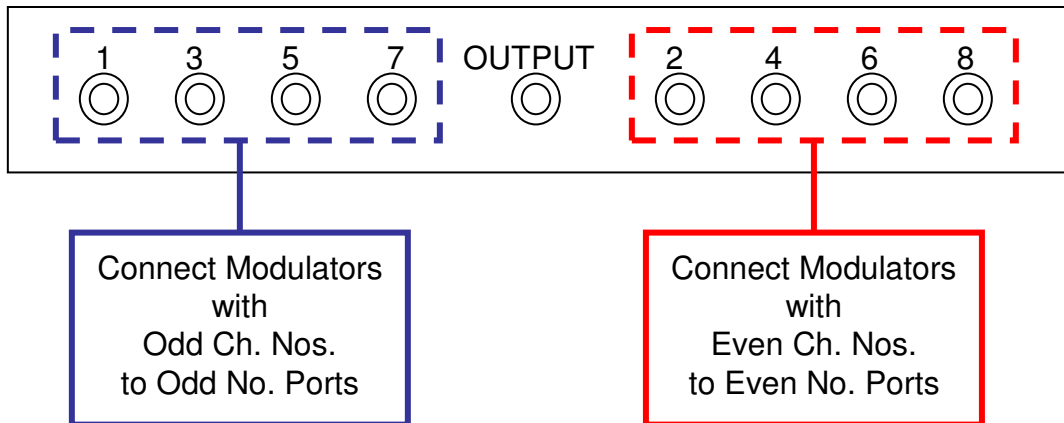
- Used to combine SVM Racks
- Frequency 46 - 860 MHz
- Flat Frequency Response
- I/P & O/P Impedance: 75 Ohms
- Insertion Loss: 16dB Typ.
- Isolation : >22dB

# Installation guidance for Channel Combiner

## 16 CH COMBINER



## 8 CH. COMBINER



## SVM SPECIAL COMBINER

