

Agile Saw Filter Demodulator

AS 626

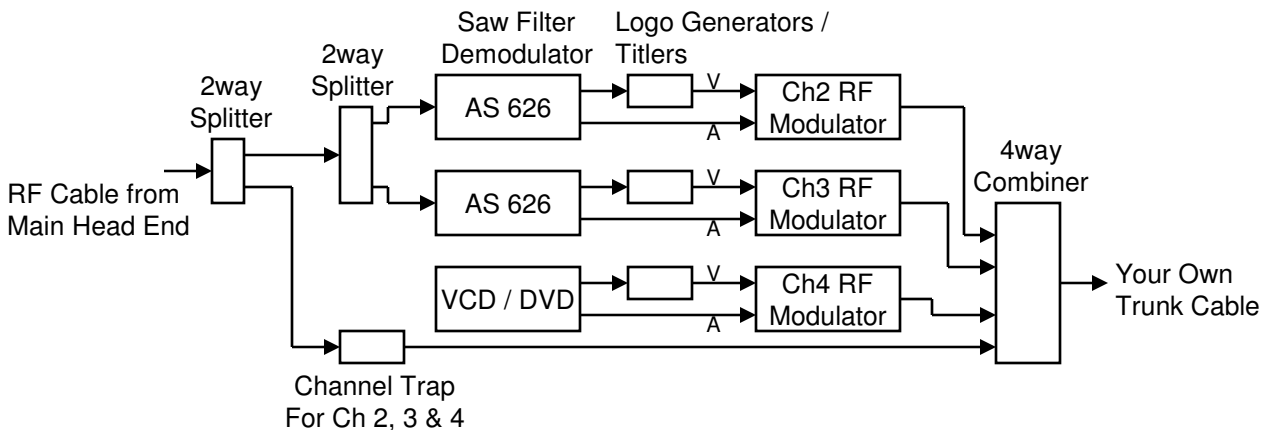
Sharp Vision's AS 626 is an **Agile Saw Filter Demodulator**. This can take out any channel from a trunk cable carrying many channels. This signal is converted into Video and Audio. This Video and Audio signal is modulated to any RF channel for further cable transmission.

It not only demodulates but also makes the picture soft, if incoming RF Signal has grains. It has a video signal burst circuit to enhance the colours of the picture being demodulated.



Features:

- Micro Controller Based Technology
- SAW Filtered- for adjacent channel performance
- AGC with Input levels from 50 dB μ V to 100 dB μ V
- Agile Demodulator - Tune to any channel from E2 to E69
- Special Video Signal Burst Circuit to enhance video colours
- Removes grains from input signal and makes the picture soft
- In case of supply interruption, AS626 remains tuned to last channel memory



Applications of AS 626:

Renew your signal using Demodulator: When the input signal to your control room has poor C/N, it cannot be taken to further distance. Use Saw Filter Demodulator AS 626 and modulate again to have the improved video signal for further transmission.

For adding advertisements: Use Demodulator to convert RF Signal of any channel into video and audio. Now insert your own Video Titler / Logo for giving advertisements and modulate again for further transmission.

Use in Reverse Path System: The Reverse Path Signal being transmitted back to your control room can be demodulated and again modulated on any other channel.